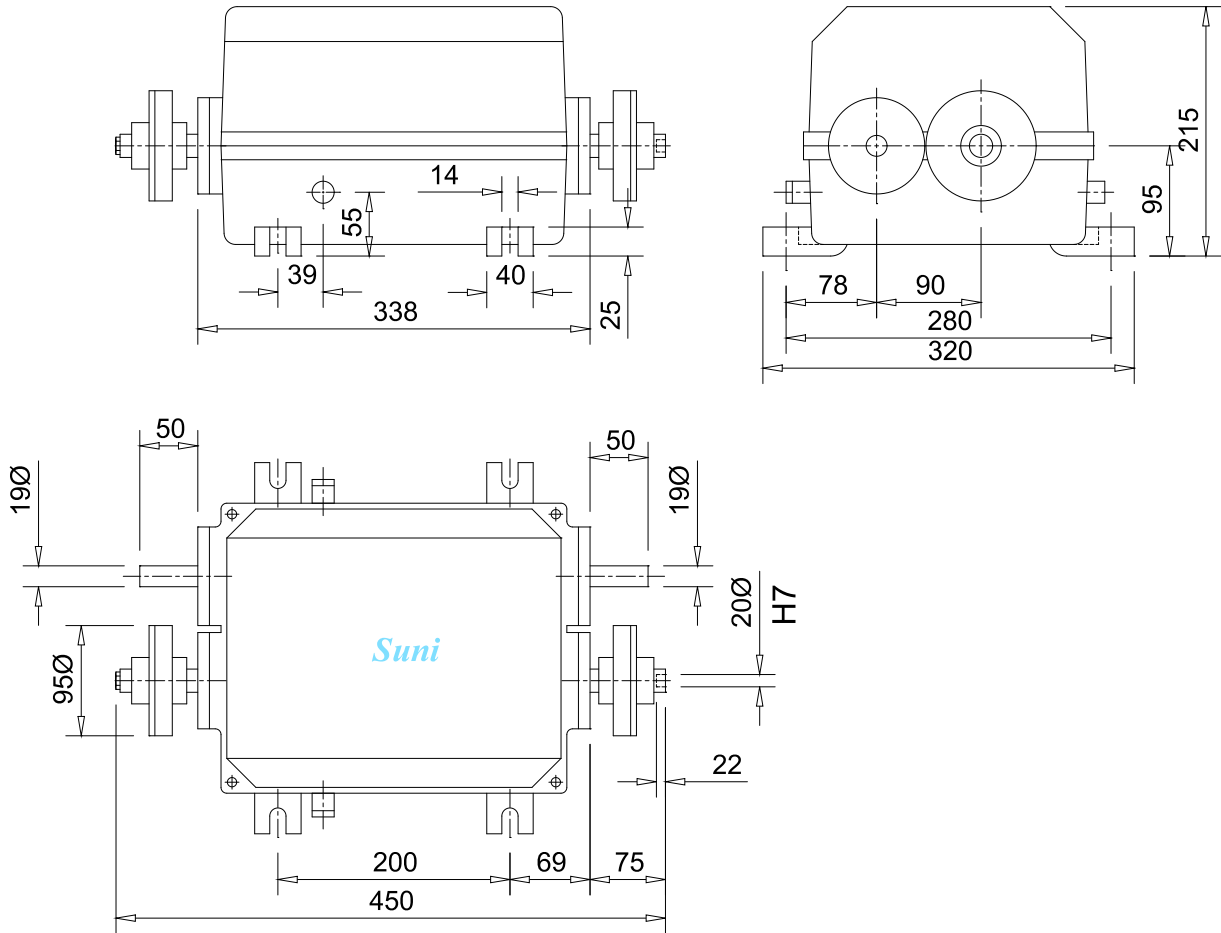


THIS DRAWING IS THE PROPERTY OF SUNI CRANES CONTROLS, MUMBAI-400 072. REPRODUCTION, UTILISATION OR DISCLOSURE TO THIRD PARTIES, IN ANY FORM WHATSOEVER IS NOT ALLOWED WITHOUT WRITTEN CONSENT



ALL DIMENSIONS ARE IN MM. UNLESS OTHERWISE SPECIFIED.

DRAWN : *P. Kamble*
 CHECKED : G. G. YADAV
 APPROVED :
 MATERIAL : CAST IRON
 TOTAL WT. : 50 KGS
 DATE : 15 / 09 / 1995
 SCALE : N.T.S.



Suni Cranes Controls
 AN ISO 9001:2008 CERTIFIED COMPANY
 Shubh Indl. Estate Vasai(E) Thane-401208

TITLE. **GRAB DIFFERENTIAL LIMIT SWITCH**

DRG.NO. **Suni / GA / DLS/04**

REV. **0**