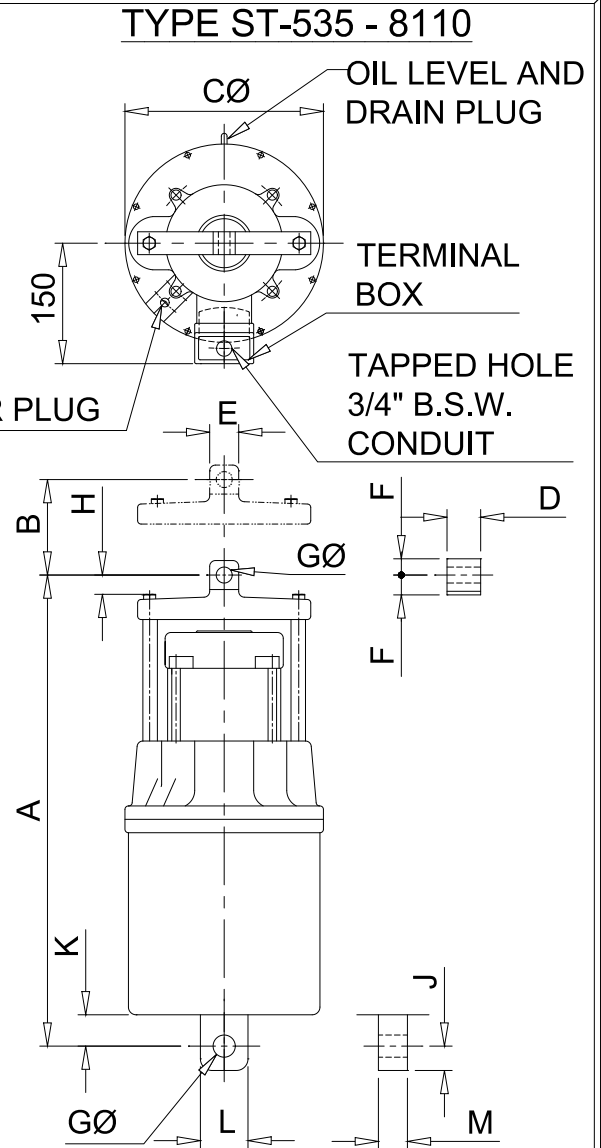
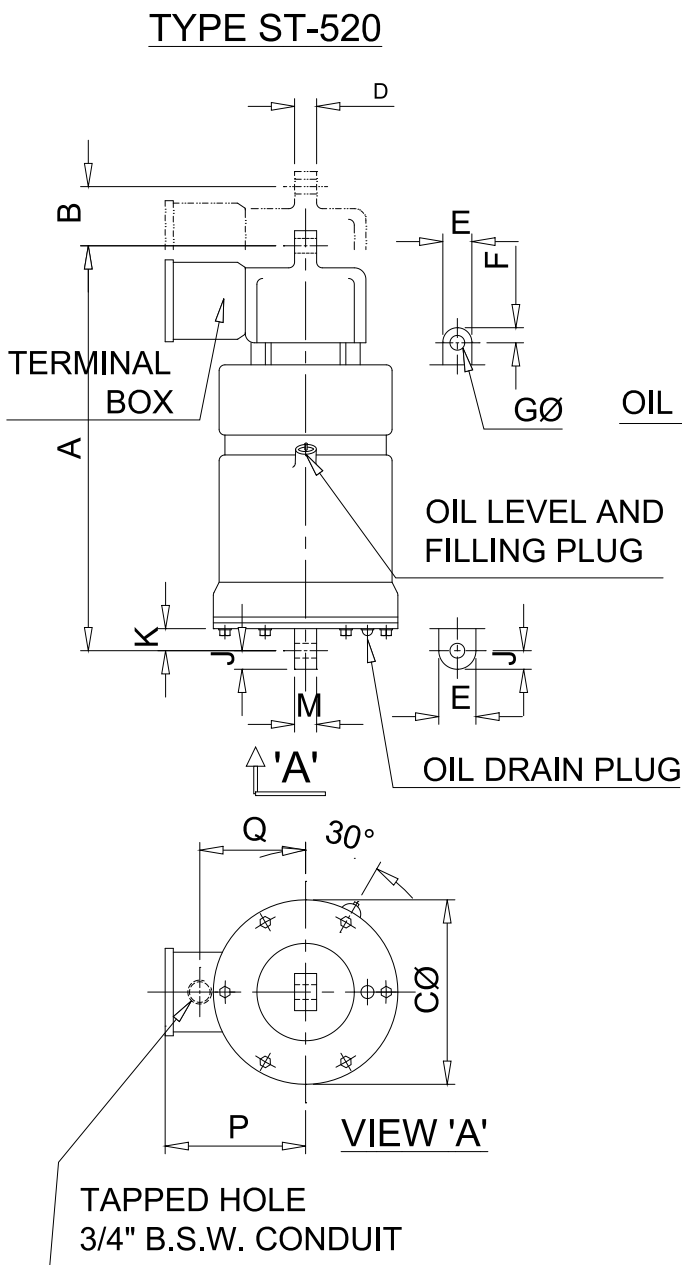



THIS DRAWING IS THE PROPERTY OF SUNI CRANES CONTROLS, MUMBAI-400 072. REPRODUCTION, UTILISATION OR DISCLOSURE TO THIRD PARTIES, IN ANY FORM WHATSOEVER IS NOT ALLOWED WITHOUT WRITTEN CONSENT



TYPE	RATED OUTPUT		INPUT WATTS	DIMENSIONS IN MM.														W.T. (KGS.)	OIL CAPACITY LITRES
	THRUST (KG.)	STROKE (MM.)		A	B	C	D	E	F	GØ	H	J	K	L	M	P	Q		
<i>Suni/ST 520</i>	18	50	90	349	50	160	22	28	13	12.7	19	16	19	35	20	121	90	14	2.0
<i>Suni/ST 535</i>	34	50	150	444	50	175	30	32	14	19	19	21	27	40	27	138	110	30	2.5
<i>Suni/ST 546</i>	46	50	180	508	75	216	30	32	16	19	25	24	29	48	30	152	124	40	4.5
<i>Suni/ST 870</i>	68	76	170																
<i>Suni/ST8110</i>	114	76	200	660	127	254	32	38	19	19	29	27	43	54	38	152	127	55	9.0
<i>Suni/ST13200</i>	225	127	420																
<i>Suni/ST13300</i>	295	127	580																

ALL DIMENSIONS ARE IN MM. UNLESS OTHERWISE SPECIFIED.

DRAWN : P. Kambli		<h2>Suni Cranes Controls</h2> <p>AN ISO 9001:2008 CERTIFIED COMPANY</p> <p>Shubh Indl. Estate Vasai(E) Thane-401208</p>	
CHECKED : G. G. YADAV		ELECTRO-HYDRAULIC THRUSTORS (RATING, DIMENSIONS AND WEIGHTS)	
APPROVED :			
MATERIAL :	TITLE.	Suni / GA / Thrustor/05	
TOTAL WT. :	DRG.NO.		
DATE : 15 / 09 / 1995		REV. 0	
SCALE : N.T.S.			