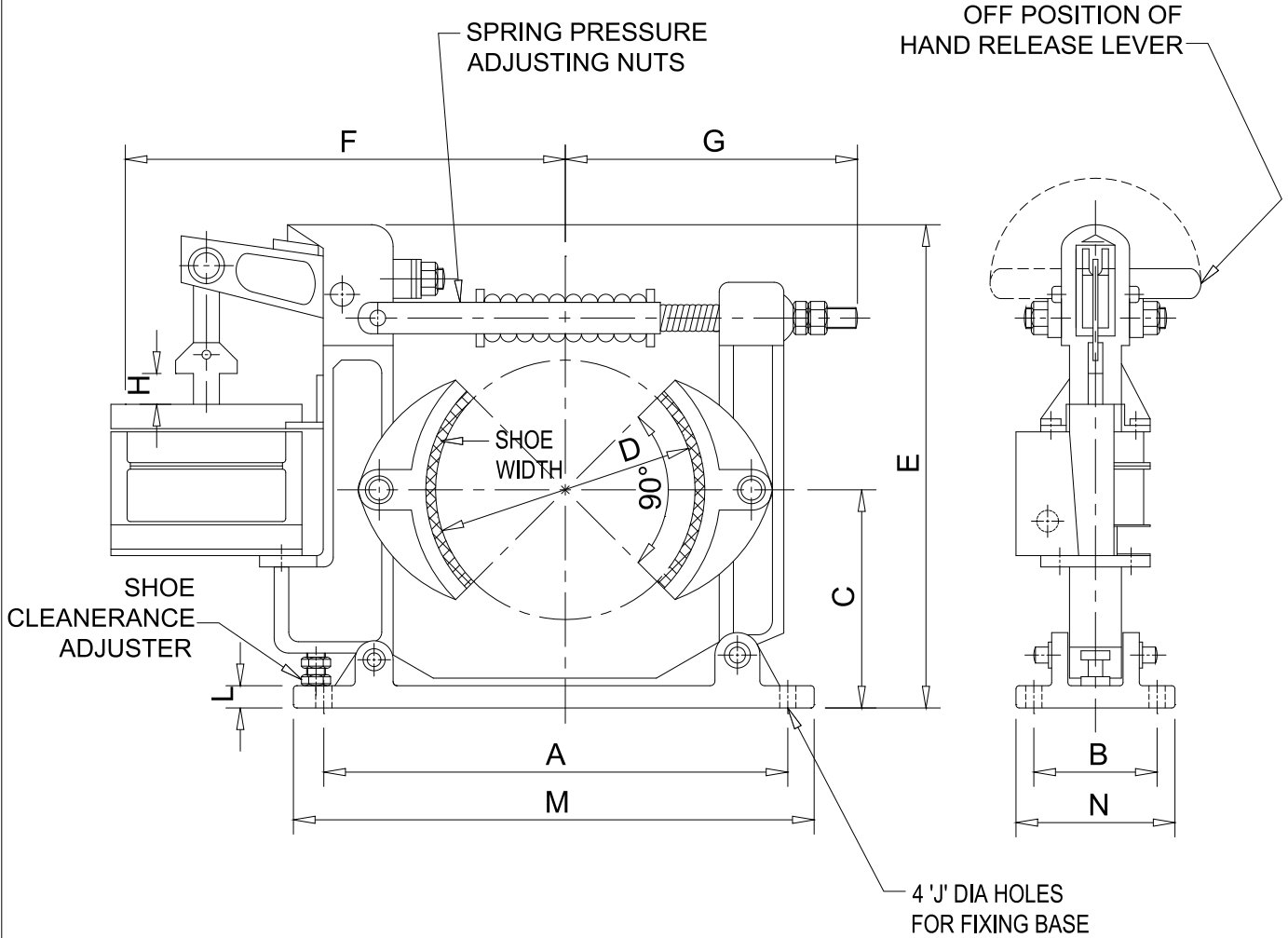



THIS DRAWING IS THE PROPERTY OF SUNI CRANES CONTROLS,MUMBAI-400 072.REPRODUCTION, UTILISATION OR DISCLOSURE TO THIRD PARTIES, IN ANY FORM WHATSOEVER IS NOT ALLOWED WITHOUT WRITTEN CONSENT



BRAKE TYPE	DRUM DIA D	BRAKING TORQUE 100% COIL RATING (KGM)	A	B	C	E (MAX.)	F (MAX.)	G (MAX.)	H	J	K	L (MAX.)	M	N	WT. IN KG.
<i>Suni/ASM 10</i>	100	1.87	232	70	130	275	230	140	19	10	57	14	267	98	12.5
<i>Suni/ASM 15</i>	150	6.50	310	76	143	305	260	175	19	10	70	18	340	114	18
<i>Suni/ASM 20</i>	200	15.00	400	92	175	370	340	235	19	14	89	20	441	126	30
<i>Suni/ASM 25</i>	250	19.30	470	114	225	460	380	275	19	14	108	23	508	150	43
<i>Suni/ASM 30</i>	300	38.80	535	152	254	530	445	320	19	20	127	22	616	210	77
<i>Suni/ASM 38</i>	380	58.60	610	315	315	645	495	355	19	22	152	28	680	229	96

ALL DIMENSIONS ARE IN MM. UNLESS OTHERWISE SPECIFIED.

DRAWN : <i>P.Kambli</i> CHECKED : G. G. YADAV APPROVED : MATERIAL : TOTAL WT. : DATE : 15 / 09 / 1995 SCALE : N.T.S.	 Suni Cranes Controls AN ISO 9001:2008 CERTIFIED COMPANY Shubh Indl. Estate Vasai(E) Thane-401208
TITLE.	SINGLE PHASE E.M. BRAKE (RATING, DIMENSIONS AND WEIGHTS)
DRG.NO.	Suni/ GA /E.M./10
REV.	0