**TECHNICAL CHARACTERISTICS**

- 1) MAX. WORKING VOLTAGE 500 V.A.C. 50 C/S
- 2) MAX. CURRENT RATING 40 AMPS. (MAX.)
- 3) GEAR RATIO 48 : 1 OR 60 : 1
- 4) MAX. PERMISSIBLE NO. OF REVOLUTIONS : 40 OR 50
- 5) MAX. NO. OF CONTACTS .

A - FOR TWO WAY SERIES TYPE - 4 NOS.

B - FOR TWO WAY SHUNT TYPE - 2 NOS.

TYPE

A - RLS/48/2SH/2 TWO WAY SHUNT TYPE.

B - RLS/48/2SE/4 TWO WAY SERIES TYPE.

**SECTION A-A
INPUT SHAFT**

ALL DIMENSIONS ARE IN MM. UNLESS OTHERWISE SPECIFIED.

DRAWN : P. Kamblu

CHECKED : G. G. YADAV

APPROVED :

MATERIAL : AL CASTING

TOTAL WT. :

DATE : 15 / 09 / 1995

SCALE : N.T.S.



Suni Cranes Controls

AN ISO 9001:2008 CERTIFIED COMPANY

Shubh Indl. Estate Vasai(E) Thane-401208

TITLE.

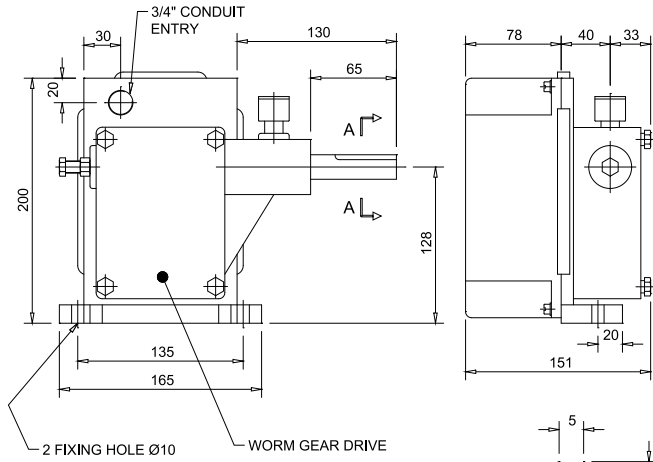
ROTARY LIMIT SWITCH

DRG.NO.

Suni / GA / RLS/03

REV. 0

THIS DRAWING IS THE PROPERTY OF SUNI CRANES CONTROLS. REPRODUCTION, UTILISATION OR DISCLOSURE TO THIRD PARTIES IN ANY FORM WHATSOEVER IS NOT ALLOWED WITHOUT WRITTEN CONSENT.



TECHNICAL CHARACTERISTICS

- 1) MAX. WORKING VOLTAGE 500 V.A.C. 50 C/S
- 2) MAX. CURRENT RATING 40 AMPS. (MAX.)
- 3) GEAR RATIO 48 : 1 OR 60 : 1
- 4) MAX. PERMISSIBLE NO. OF REVOLUTIONS : 40 OR 50
- 5) MAX. NO. OF CONTACTS .

A - FOR TWO WAY SERIES TYPE - 4 NOS.
 B - FOR TWO WAY SHUNT TYPE - 2 NOS.

TYPE

A - RLS/48/2SH/2 TWO WAY SHUNT TYPE.
 B - RLS/48/2SE/4 TWO WAY SERIES TYPE.

**SECTION A-A
 INPUT SHAFT**

ALL DIMENSIONS ARE IN MM. UNLESS OTHERWISE SPECIFIED.

DRAWN : P. Kamble
CHECKED : G. G. YADAV
APPROVED :
MATERIAL : AL CASTING
TOTAL WT. :
DATE : 15 / 09 / 1995
SCALE : N.T.S.



Suni Cranes Controls
 AN ISO 9001:2008 CERTIFIED COMPANY
 Shubh Indl. Estate Vasai(E) Thane-401208

TITLE:	ROTORY LIMIT SWITCH	
DRG.NO.	Suni / GA / RLS/03	REV. 0